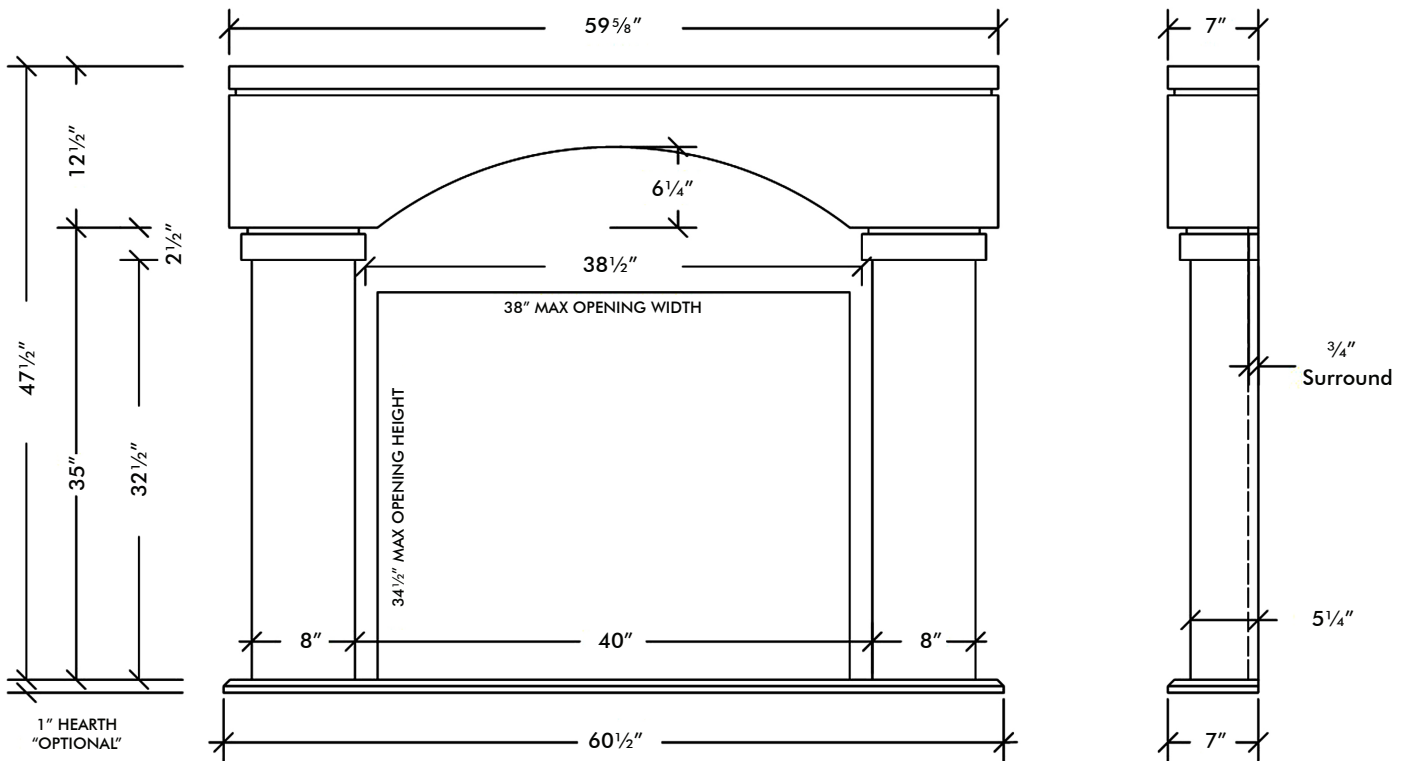


CAMBRIDGE

BUILDER SERIES



CAMBRIDGE



MEASUREMENTS:

INSERT
HEIGHT
WIDTH

WALL MAX
HEIGHT
WIDTH

TEXTURE: PIT PAINT

DATE:

SIGNATURE: