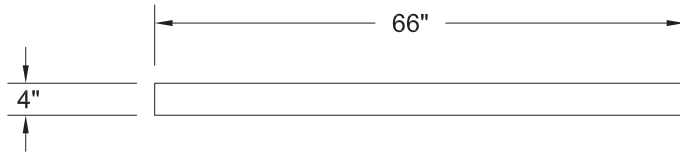
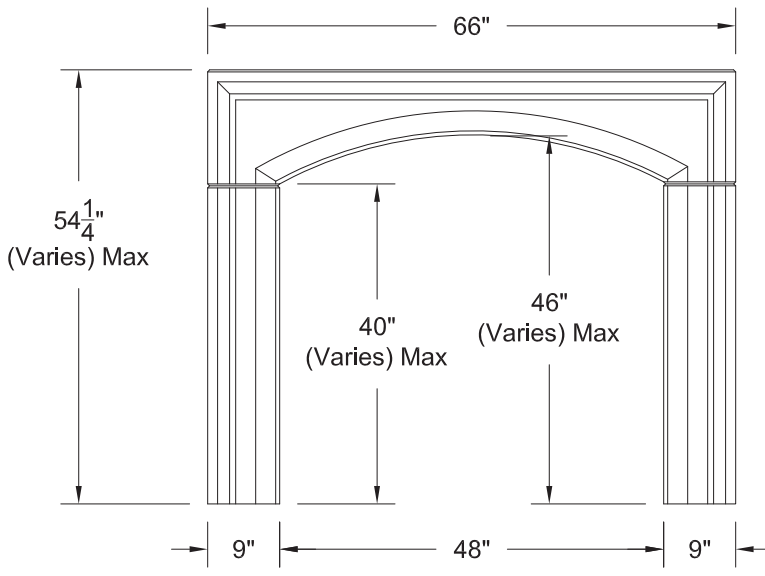


NASSAU

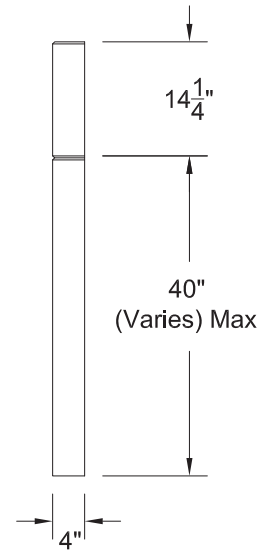
OVERMANTEL-05



PLAN



FRONT ELEVATION



SIDE ELEVATION

MEASUREMENTS:

HEIGHT

LENGTH

RETURN

QUALITY: PIT PAINT

DATE:

SIGNATURE: